

Vector Fast Frame Rechargeable Light Box Counter w/Battery

VFF-LB-CT-BAT-1-ASM

Vector Fast Frame™ Rechargeable Light Box Counter is an innovative, collapsible SEG light box counter that sets up in seconds. Designed for ultimate flexibility, this sleek and portable display system delivers brilliant illumination without the need for external power sources, making it ideal for trade shows, retail environments, and pop-up events. The counter-top offers the convenience of a wireless charging pad. The lithium-ion battery provides up to 15 hours of runtime on a single charge. This sleek 3.35" wide frame holds seamless, easy-to-change silicone edge graphics (SEG), which are easily applied to the front and back. Graphics can be easily swapped out to deliver new messages so you can use the frame again and again! Vector Fast Frame Rechargeable Light Box is lightweight, portable, and requires no tools, so assembly is a breeze. It packs down small, making travel and storage simple.



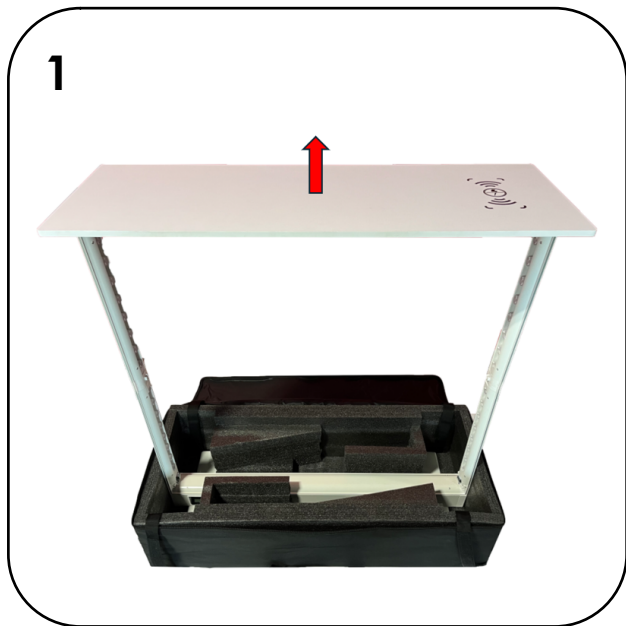
We are continually improving and modifying our product range and reserve the right to vary the specifications without prior notice. All dimensions and weights quoted are approximate and we accept no responsibility for variance. E&OE. See Graphic Templates for graphic bleed specifications

features and benefits:

- Collapsible, rechargeable light box counter with lights pre-attached to the frame
- Battery operated and rechargeable with up to 15 hours runtime
- Mobile phone wireless charging pad
- Digital display shows real time battery capacity
- Collapsible, slim light box counter
- Assembles in seconds
- Seamless and easy to change SEG push-fit graphics
- White frame
- Front and back graphics available
- Highly portable and breaks down easy
- Includes carry bag
- Five year LED light warranty
- One year limited warranty against manufacturer defects

dimensions:

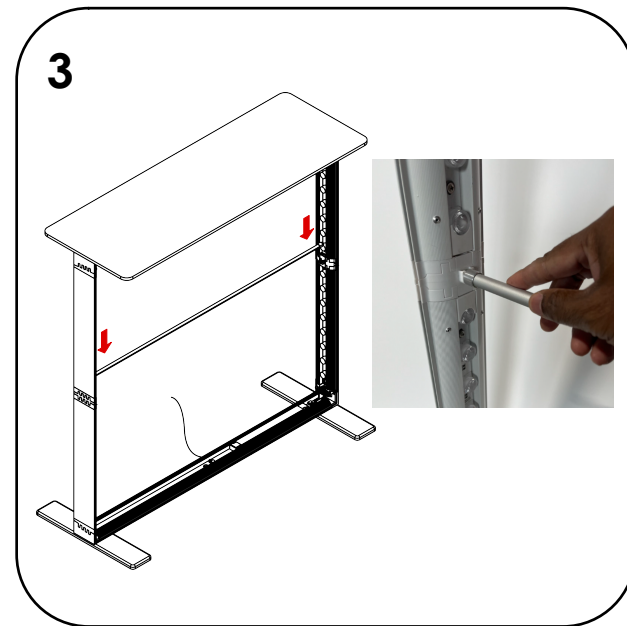
Hardware	Shipping
<p>Assembled unit:</p> <p>39.375" w x 43" h x 15.75" d 1000mm w x 1918mm h x 400mm d</p> <p>Approximate Weight: 29 lbs / 1.9 kg</p>	<p>Packing case(s): 1 Box</p> <p>Shipping dimensions: 43"L x 21"H x 12"D</p> <p>Approximate shipping weight: 42 lbs / 19.1 kg</p>
additional information:	
<p>Graphics</p> <p>Graphic material: Back-lit Textile (dye-sublimated fabric)</p> <p>Refer to related graphic templates for more information Visit: https://www.theexhibitorshandbook.com/downloads/download-graphic-templates or click here</p>	<p>SAVE ALL PACKAGING. THIS IS NEEDED FOR ALL RETURNS.</p> <p>GROUND SHIPMENT ONLY FOR UNITS WITH BATTERY INSTALLED.</p> <p>Battery: Lithium-ion 2700mAh</p> <p>Charging: The battery can be charged in or out of the display. The display can be powered on during charging, however for maximum charging efficiency it is recommended that the display be powered off during charging.</p>



1
Open case and unfold by lifting the countertop upward.



2
Remove countertop from case.



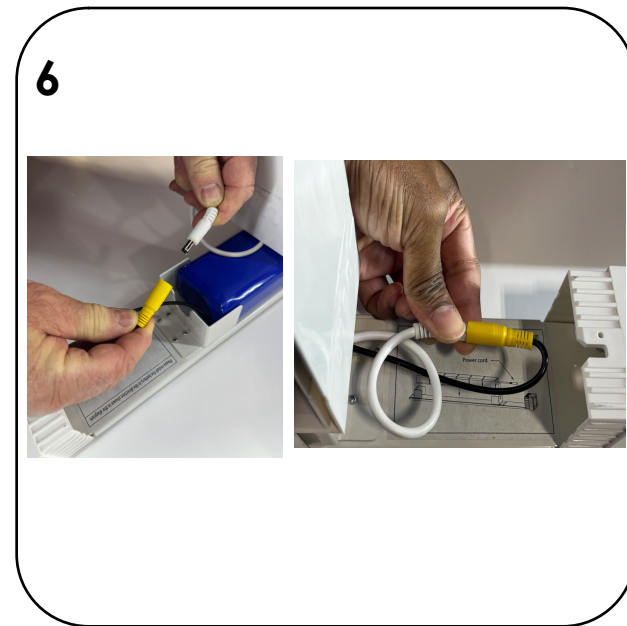
3
Press the horizontal support pole into place as shown.



4
Tilt the unit on its side opposite the digital display. Remove the two thumb screws to remove the battery tray.



5
Pull the battery tray forward and remove from the frame. Install battery in the tray.



6
Connect the battery and place the cable in the front of the tray. Close tray and install thumb screws.

7



Charging Port

Charge the unit with the included power supply by connecting to the charging port on the side of the frame.

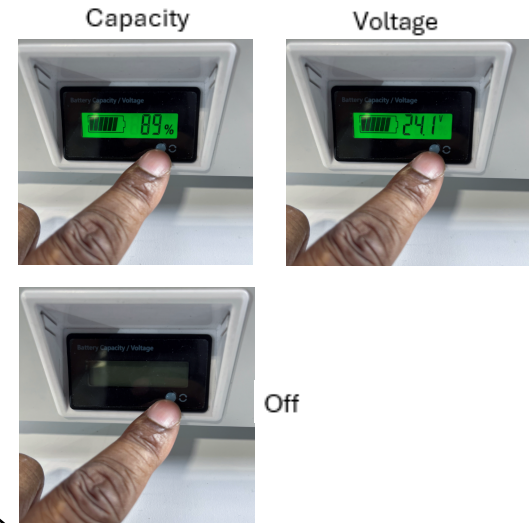
8



Power Button

Turn the unit on/off with the power button on the side of the frame.

9



The display shows battery capacity and voltage. Press the button to cycle through the options.

10



Green Light: Battery Fully Charged

Green light on the power supply indicates battery is fully charged

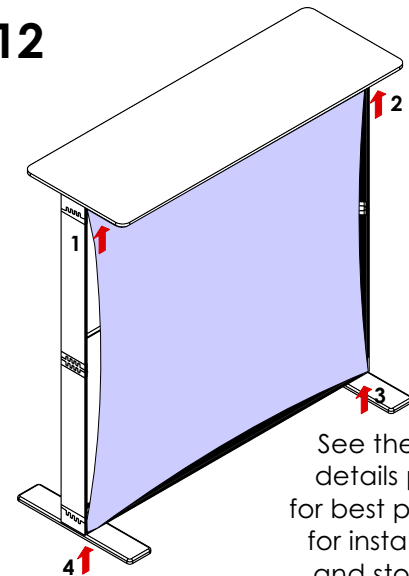
11



Wireless Charging Pad

The charging pad can be used to wirelessly charge compatible devices.

12



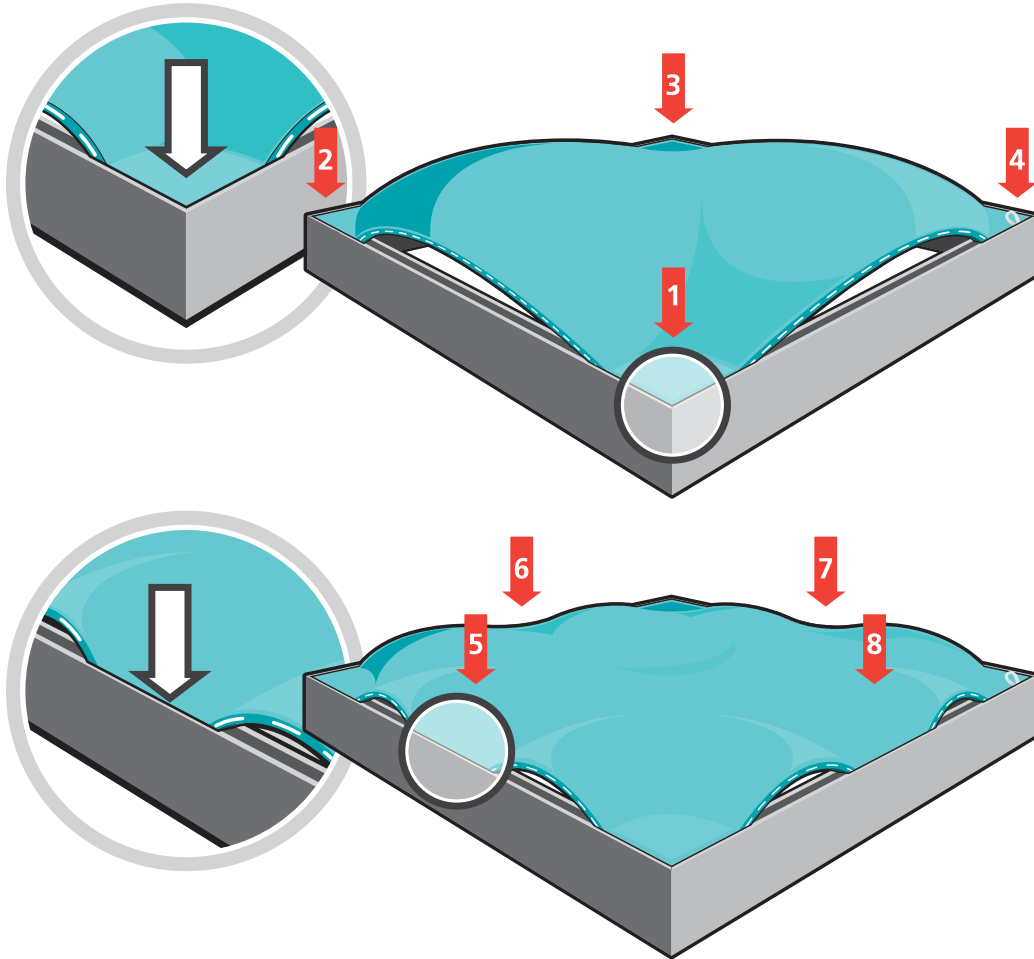
See the SEG details page for best practice for installation and storage.

Install graphic

How to Apply & Remove Graphics

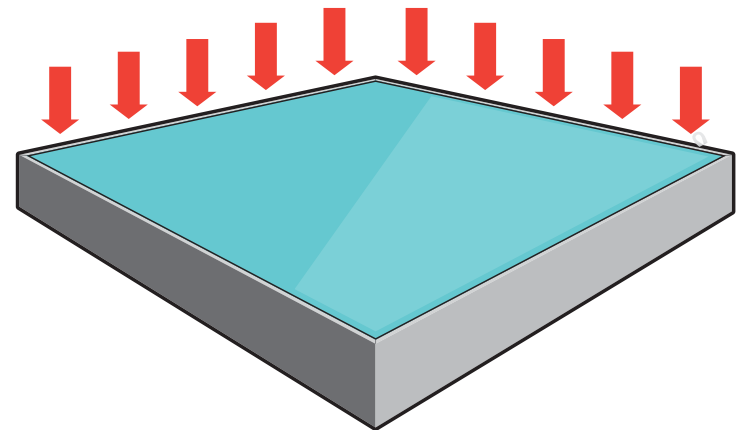
Installation and removal of SEG graphics is easy!

Installation: Push the SEG bead into each corner of the frame (1-4) with your thumb, then push the SEG bead into the middle of the run (5-8) and work your way around the perimeter of the frame until all beading is pushed in properly; if necessary, go around the perimeter again to ensure beading is secure in the extrusion profile.



Note: Keep the set up area clean by using a drop cloth, washing hands before set-up or by wearing gloves.

Removal: Use the pull tab located on the graphic and gently pull the graphic from the frame, going around the perimeter.



Graphics Storage & Care

Graphics should be folded with the graphic facing inward and stored in a zip lock /sealable plastic bag. Spot clean by wiping with a damp white cloth. If washing is necessary, use a commercial size front-loading washing machine, gentle cycle with cool water. Line dry flat. Dry cleaning is NOT recommended to prevent shrinkage.

Lithium-ion battery storage and usage instructions

1. Lithium-ion batteries should be stored in a cool, dry, and ventilated environment, away from sources of fire and high temperatures. The storage temperature of the battery must be within the range of $-10\text{ }^{\circ}\text{C}$ to $45\text{ }^{\circ}\text{C}$, with a humidity of $65 \pm 20\%$ RH.
2. Storage voltage and power: voltage range from 3.7V to 3.9V (4.2V standard voltage system); The battery level is between 30% and 85%
3. Long term storage batteries (over 5 months) must be placed in an environment with temperature of $23 \pm 5\text{ }^{\circ}\text{C}$ and a humidity of $65 \pm 20\%$ RH.
4. The battery should be stored according to storage requirements, fully charged and discharged once every 5 months, and recharged to 85% capacity.
5. Do not transport batteries when the ambient temperature is above $65\text{ }^{\circ}\text{C}$.
6. Only use the charger that came with the unit. Using high current or high voltage charging may cause issues with charging and discharging performance, and may lead to overheating, leakage, or bulging.
7. Light discharge is beneficial for improving its lifespan.
8. When the battery is low, it should be charged within 12 hours.
9. Do not use or store batteries near heat sources.
10. Do not pierce the battery casing with nails or other sharp objects.
11. Do not disassemble the battery.