

Flat Desk Stands

FLAT-DK Series

The FLAT-DK series features a high quality extruded aluminum body with plastic molded endcaps that double as feet for desk or tabletop use. Available in silver or black. Clear, non-glare lens is optional and custom sizes are available to meet your specifications.



FINISH:



Silver



Black

PROFILE:



Round



Square

features and benefits:

- High quality extruded aluminum body
- Anodized silver or satin powder-coated black finish
- Comes standard with clear non-glare lens and suction cup
- Option of round or square profile
- Easily swapped graphics
- Custom sizes available
- No assembly required
- Quick shipping

dimensions:

Hardware

Assembled unit:

- Custom sizes available
- All lengths measurements (as shown on following page) apply to the extrusion only and exclude the end caps

Shipping

Shipping weights and dimensions vary depending on the quantity of product ordered. Contact your dealer for your specific weights and dimensions.

additional information:

Graphic material:

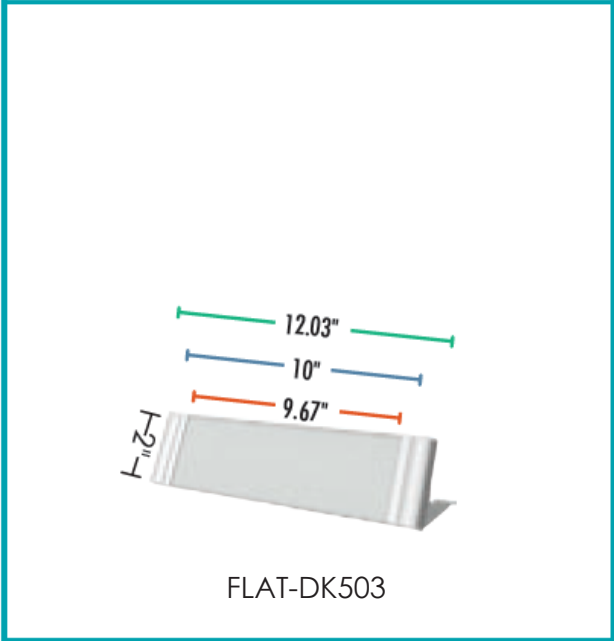
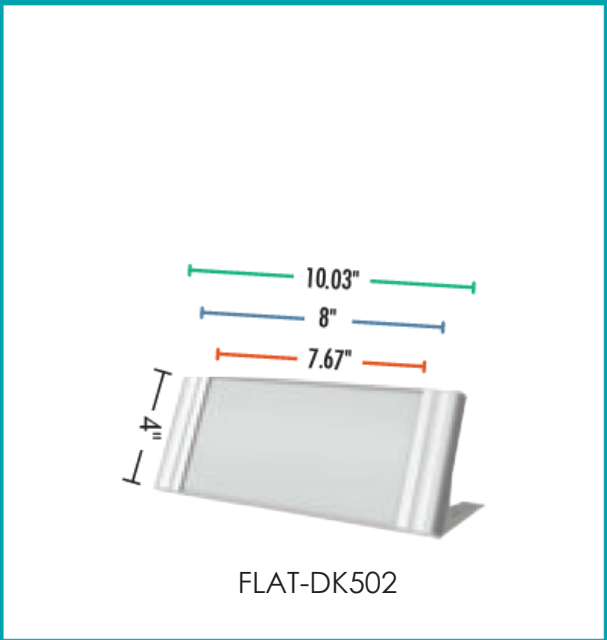
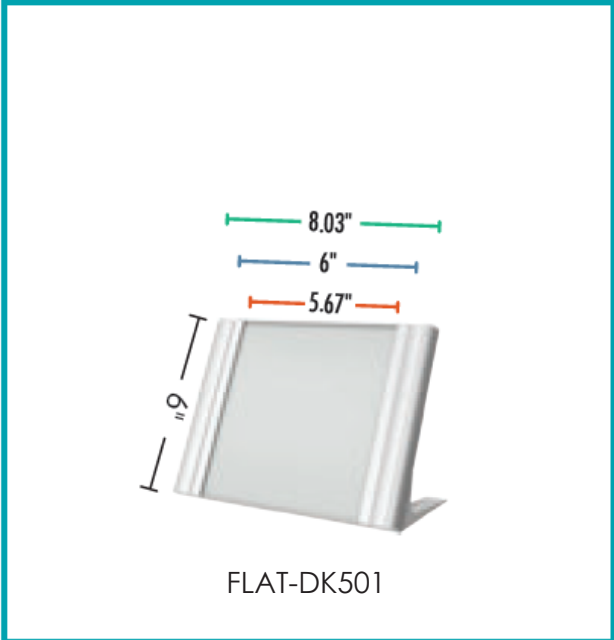
Frames can accommodate a multitude of sign substrates from printed paper inserts, laminated printed, cut vinyl, etc. Your sign professional will help you find the material that's right for your project.

SIGNPRO™
S Y S T E M S

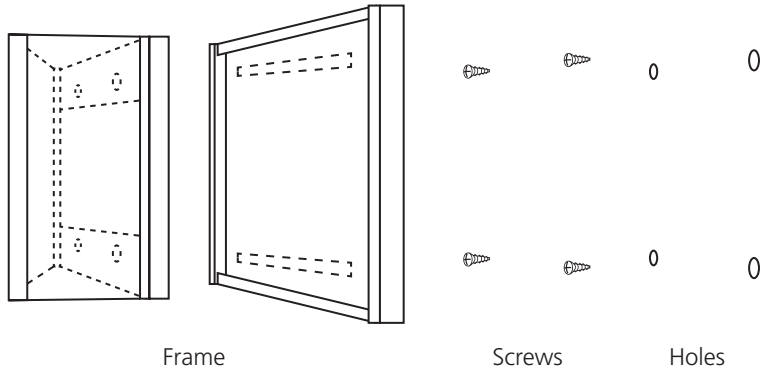
We are continually improving and modifying our product range and reserve the right to vary the specifications without prior notice. All dimensions and weights quoted are approximate and we accept no responsibility for variance. E&OE. See Graphic Templates for graphic bleed specifications.

FLAT-DK Series

■ Frame Size ■ Graphic Dims ■ Visible Area



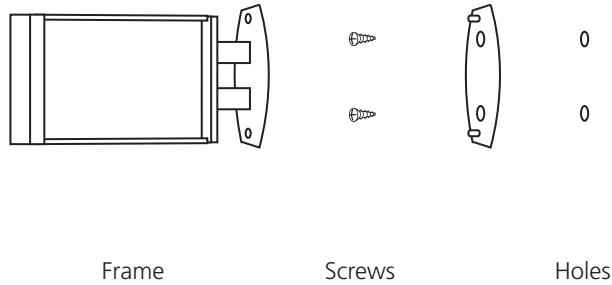
Mounting Instructions



Direct to Wall

FLAT-WP
FLAT-PJT
FLAT-DIRP
FLAT-DIRM

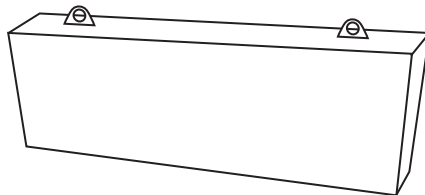
- Step 1.** Set frame on wall in desired location.
- Step 2.** Mark holes, remove frame, and drill holes.
- Step 3.** Place anchors in drilled holes, screws in anchors, then screw into wall.
- Step 4.** Mount frame by lining channel bars with screws.



Bracket to Wall

FLAT-PJL
FLAT-PJP

- Step 1.** Set bracket on wall in desired location.
- Step 2.** Mark holes, remove bracket, and drill holes.
- Step 3.** Place anchors in drilled holes, then return bracket to wall.
- Step 4.** Place screws through bracket face and screw into anchors.
- Step 5.** Apply nut caps.



Suspend

FLAT-SUSP

- Step 1.** Install mounts (not included) on ceiling in desired location.
- Step 2.** Attach cables (not included) to mounts and frame rings.

Mounting Tape

- Step 1.** Remove paper cover from tape.
- Step 2.** Apply frame to wall in desired location.