

Zoom A-Frame Banner

ZOOM-AFRAME-01

The Zoom A-Frame Banner is an indoor/outdoor banner that's lightweight, portable, and great for adding a highlight to any event. Can be used as a barricade as well as directional signage. The double sided graphic provides maximum exposure.



features and benefits:

- Lightweight and portable.
- Two-sided pillowcase fabric graphics
- Tool-less assembly
- Can be used indoors or outdoors
- Canvas storage bag included
- 6 month hardware warranty
- 6 month graphic warranty

dimensions:

Hardware	Shipping
<p>Assembled unit:</p> <p>Assembled unit: 79" W x 40" H x 28" D 2007mm(w) x 1016mm(h) x 711mm(d)</p> <p>Approximate weight: 4 lbs / 1.97 kg</p>	<p>1 Box(es):</p> <p>Shipping dimensions: 37" L x 8" H x 4" D 940mm(l) x 203mm(h) x 102mm(d)</p> <p>Approximate total shipping weight: 5 lbs / 2.27 kg</p>

Graphics

Graphic material:
Power Stretch

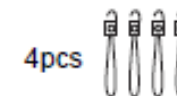
See graphic templates for graphic sizes.
Graphic will pack in a separate box.

Refer to related graphic templates for more information visit:

<https://www.theexhibitorshandbook.com/downloads/download-graphic-templates> or click here

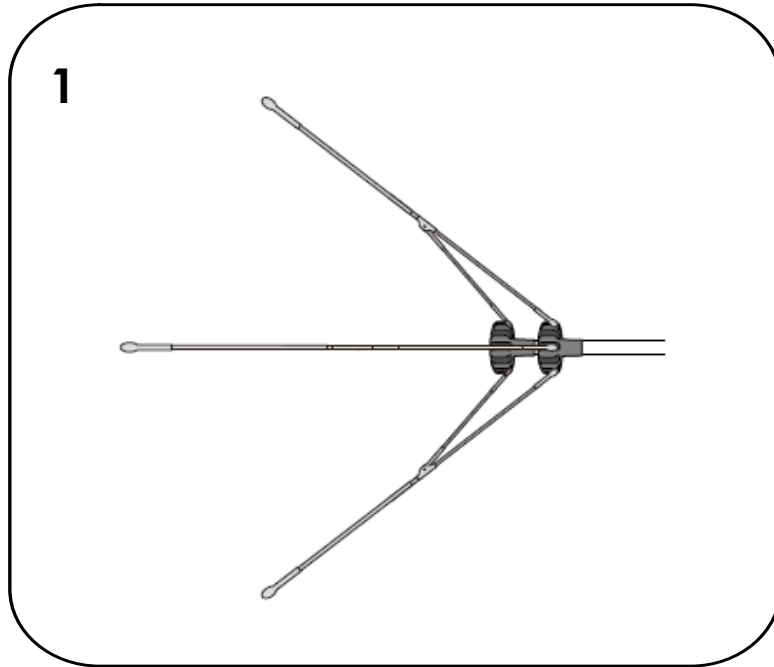
additional information:

- Included hardware for outdoor usage

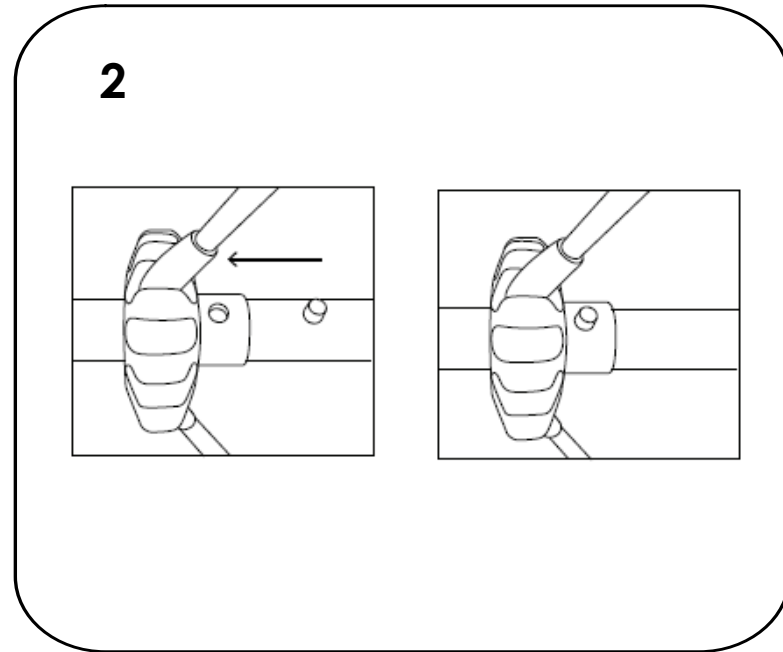


We are continually improving and banner our product range and reserve the right to vary the specifications without prior notice. All dimensions and weights quoted are approximate and we accept no responsibility for variance. E&OE. See Graphic Templates for graphic bleed specifications

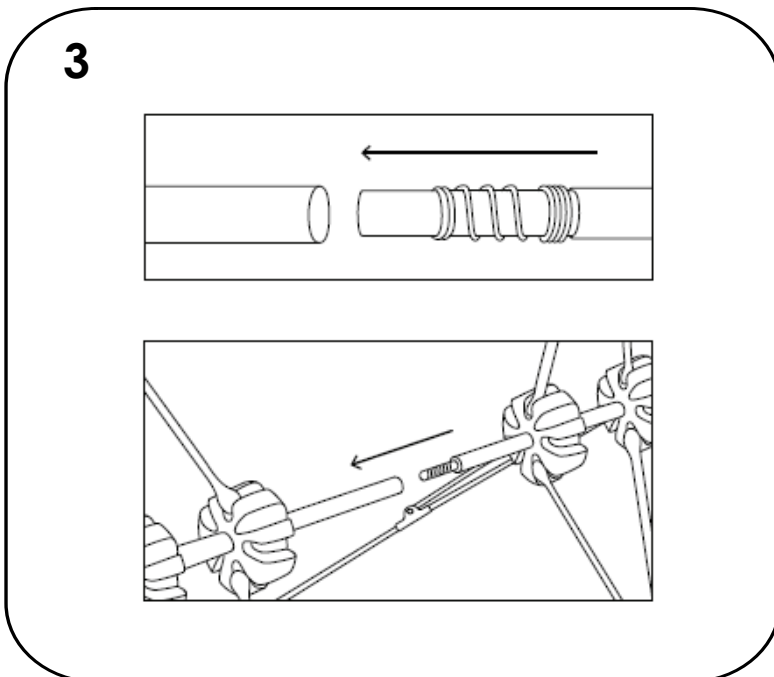
Zoom A-Frame Assembly



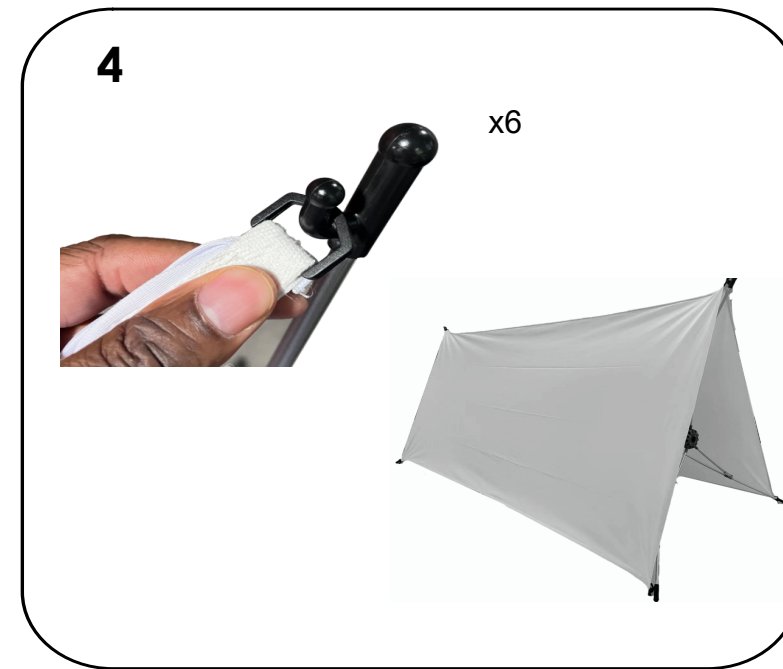
Unfold the two frame poles.



Lock each section in place by depressing the button and sliding collar until it locks in place



To assemble the frame, connect the two sections together as shown.



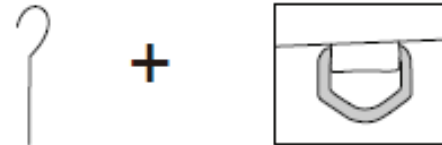
Add graphic by attaching a D-ring over each of the frame hooks.

Zoom A-Frame

Outdoor Usage



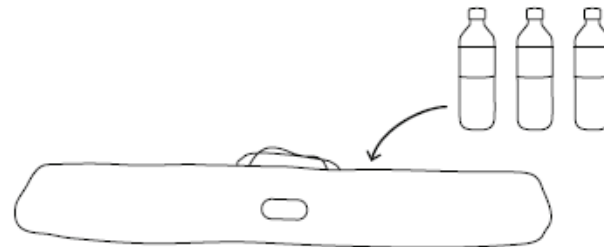
Soft surface anchoring



- When use it on hard ground like cement.

Step 1: Add weight like bottle water or rocks inside the carry bag.

Hard surface anchoring



Step 2: Put the bag under the A frame. Use the elastic string to connect 4 corners of carry bag and frame feet.

