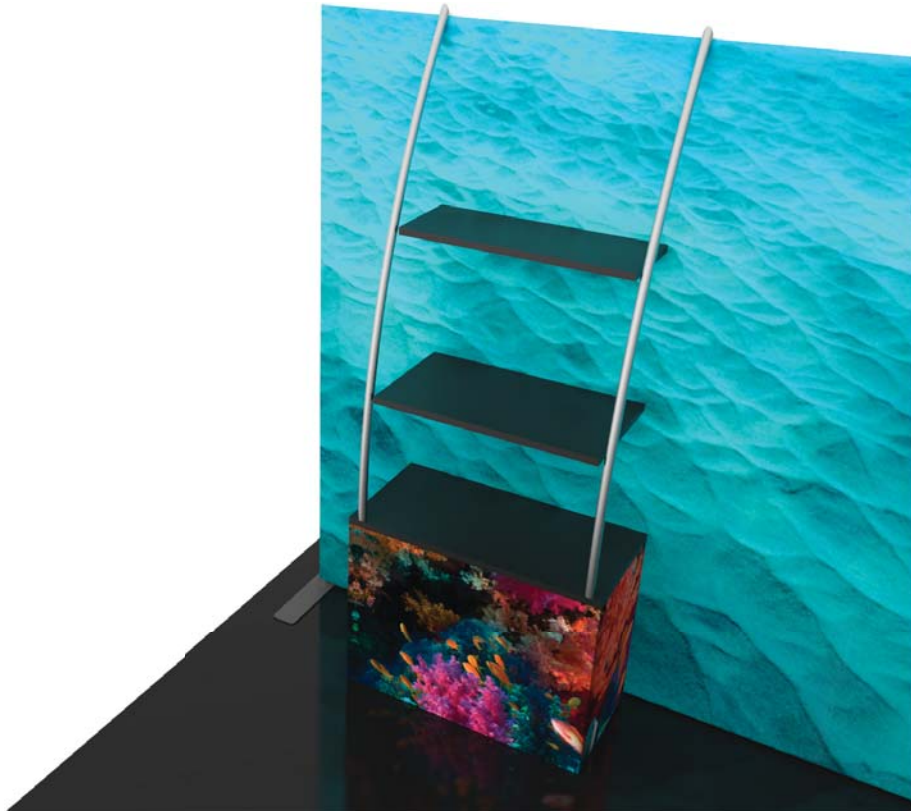


Formulate Accent Ladder 07

FMLT-WL07

Formulate® Master Accents enhance the functionality of many Formulate Master 10' and 20' backwalls and add more real estate for messaging too! With monitor supports, literature pockets, shelves, tables, counters, and more, you are sure to find the accent that best suits your needs. Side tables and graphic headers are also available.



features and benefits:

- Premium aluminum tube frame with snap button and spigot assembly
- Easy to store and ship
- Quick to set up
- Kit Includes: Wood shelves
- Lifetime limited hardware warranty against manufacturer defects

dimensions:

Hardware

Assembled unit:
36" w x 92.5" h x 20.75" d
915mm(w) x 2350mm(h) x 527mm(d)

Approximate weight with cases:
71 lbs / 32 kgs

Shipping

Packing case(s):
1 OCH2 Case

Shipping dimensions:
OCH2:
52" l x 30" w x 14" h
1321mm(w) x 762mm(h) x 356mm(d)

Approximate total shipping weight
(includes cases & graphics):
72 lbs / 33kgs

Wood Finish Options



Graphic

Refer to related graphic template for more information.

Visit:
www.exhibitors-handbook.com/graphic-templates

additional information:

Graphic material:
dye-sublimation zipper pillowcase fabric

We are continually improving and modifying our product range and reserve the right to vary the specifications without prior notice. All dimensions and weights quoted are approximate and we accept no responsibility for variance. E&OE. See Graphic Templates for graphic bleed specifications.

Included In Your Kit

Tools, Components, & Connectors



ALLEN KEY SET x1



ES30 x6



TC-30-A-TC-30-B-ASY x4

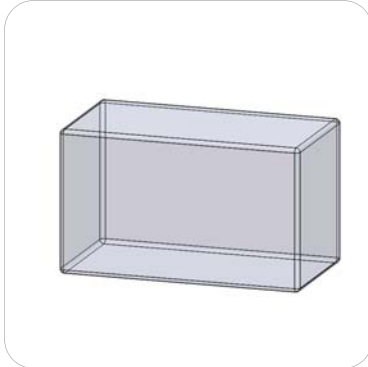


SHLF-FMLT-WL07-1 x2



CT-FMLT-WL07-1 x1

Graphics



FMLT-WL07-G x1

Included In Your Kit

Tubes



FMLT-WL07-T1 x4



FMLT-WL07-T2 x4



FMLT-WL07-T3 x4



FMLT-WL07-T4 x1



FMLT-WL07-T5 x1



FMLT-WL07-T6 x2



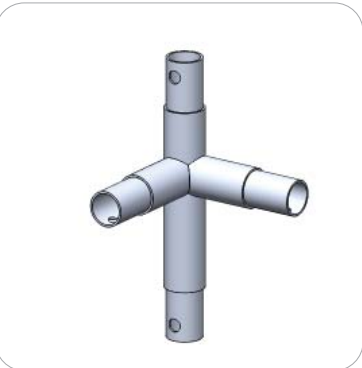
FMLT-WL07-T7 x1



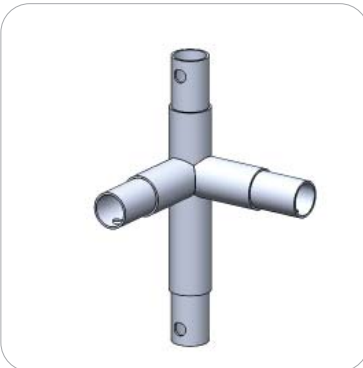
FMLT-WL07-T8 x1



FMLT-WL07-T9 x1



FMLT-WL07-T10 x1



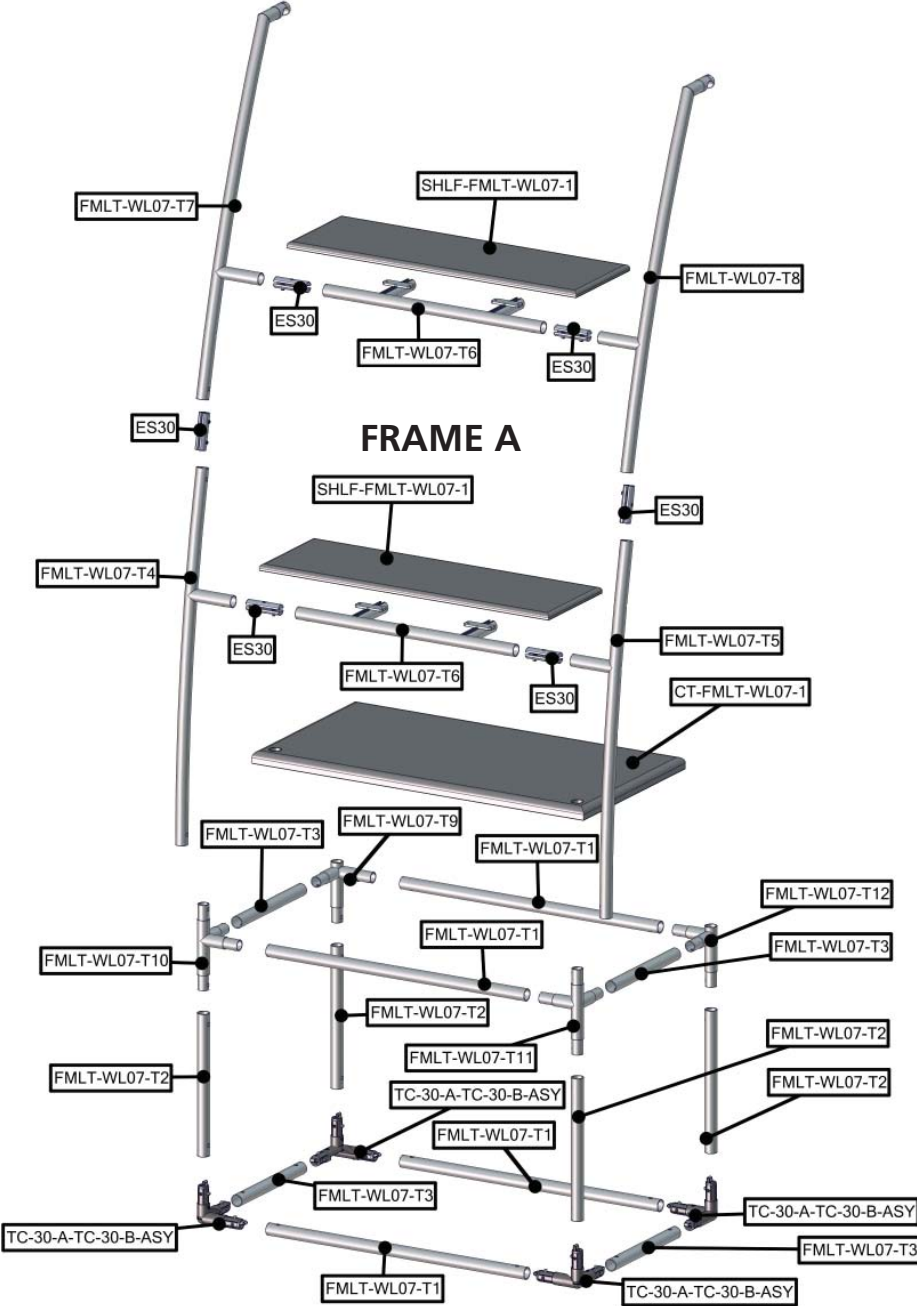
FMLT-WL07-T11 x1



FMLT-WL07-T12 x1

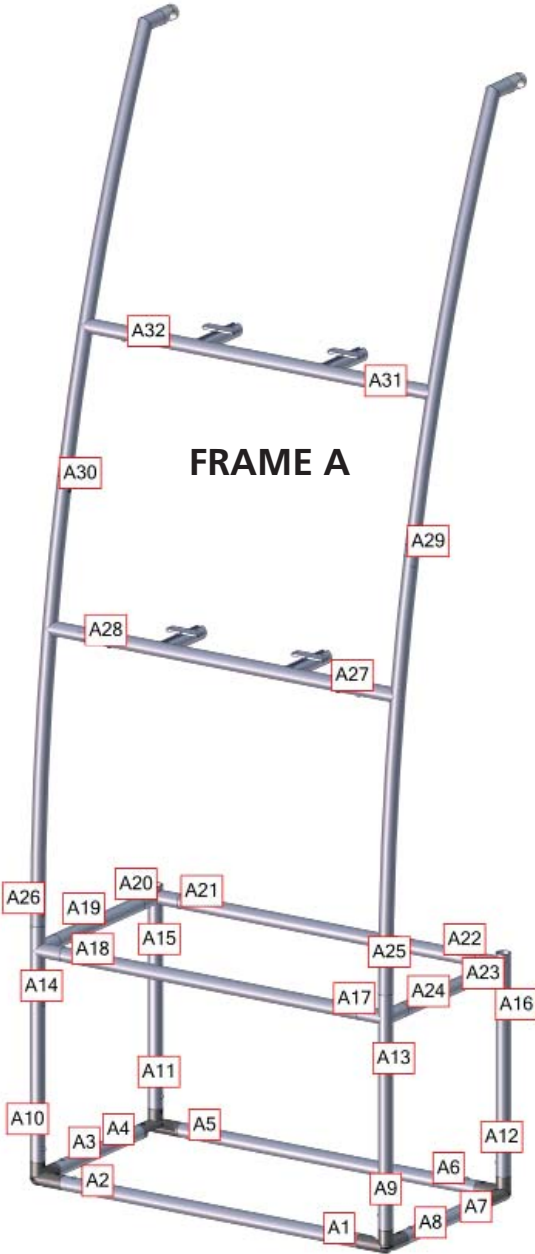
Exploded View

FMLT-WL07



Labeling Diagram

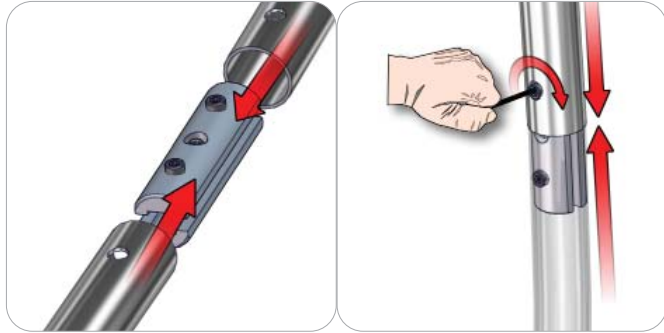
FMLT-WL07



Connection Methods

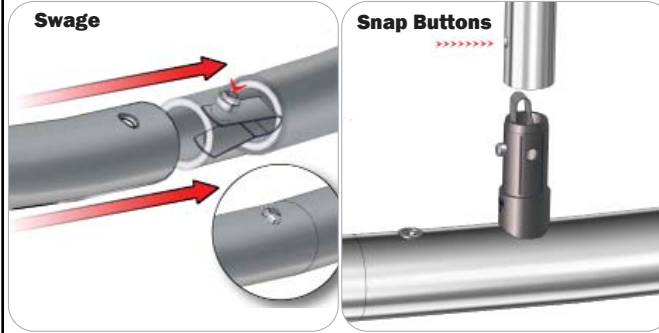
Formulate® structures use a number of different yet simple connection methods. Your kit will include one or more of the connection methods shown below. Steps within the Kit Assembly will reference a specific method for each connection point.

Connection Method 1: ES30 / ES50 / ES75



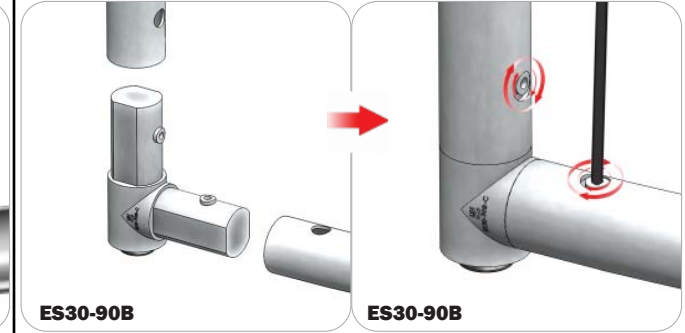
Compress the unlocked connector and slide one tube onto each end. Lock both screws carefully using your allen key tool. Be sure to lock securely, but do not overtighten.

Connection Method 2: Snap Buttons & Swage



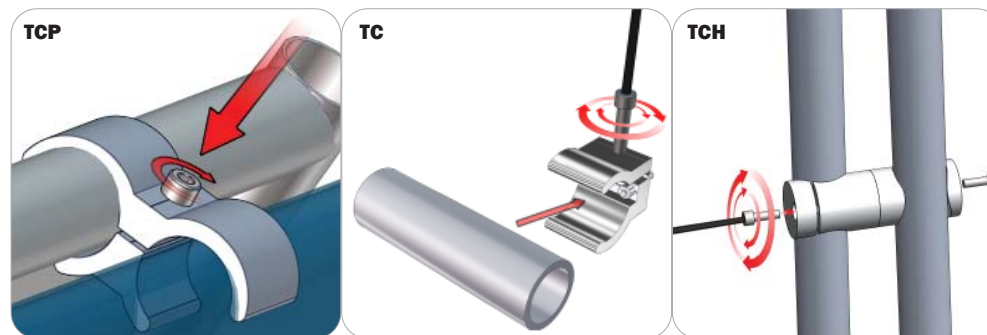
Locate the snap button on the connector or swage tube. Locate the hole on the corresponding tube. Press the snap button with your thumb and slide the tube and connector together so that the snap button snaps fully into the lock hole. To disassemble, press the snap button and pull apart.

Connection Method 3: ES30-90B / ES30-I / ES30-C



Compress one unlocked end of the connector and slide it through one tube end. Compress the other end of the connector and slide the second tube on. Lock both screws carefully using your allen key tool. Be sure to lock securely, but do not overtighten.

Connection Method 4: Tube Clamps



Be sure to fully assemble all frames before using clamps. With the clamp unlocked, place one tube of the first frame into the mouth of the clamp. Place the second tube (if applicable) into the second mouth of the clamp. With both frame's tubes in the clamp, be sure to lock securely, but do not overtighten.

Kit Assembly

Step by Step

Step 1.

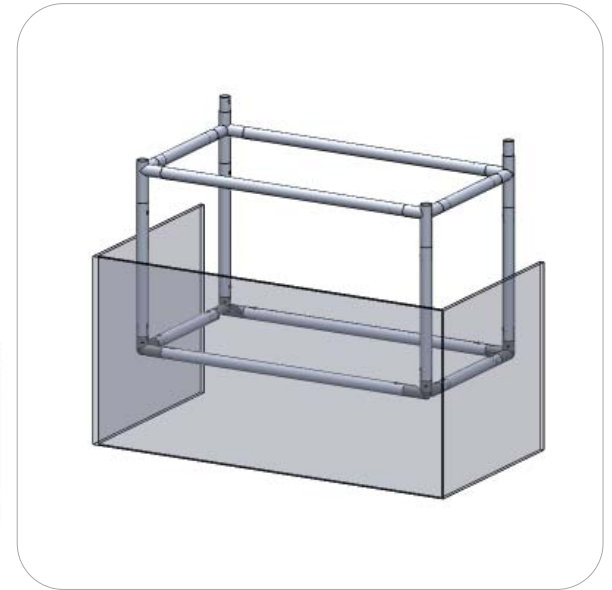
Gather the components necessary for assembling Frame A. Begin by only assembling the lower portion. Assemble in order according to the Labeling Diagram.

Please reference Connection Method 2 for more details.



Step 2.

Apply the FMLT-WL07-G graphic using the preapplied velcro.



Step 3.

Locate your CT-FMLT-WL07-1 counter top. Install with the long tubes through the counter top holes.



Step 4.

Assemble the remainder of Frame A. Assemble in order according to the Labeling Diagram.

Please reference Connection Method 1 for more details.



Kit Assembly

Step by Step

Step 5.

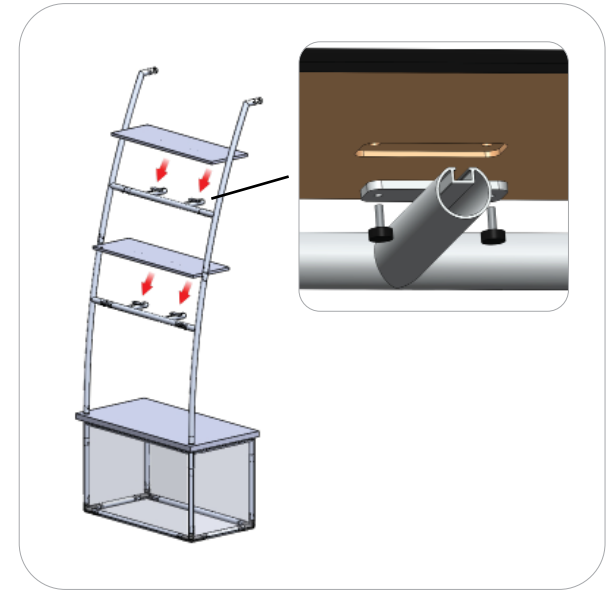
Unite the top half of Frame A with its bottom portion. Be sure to connect in the correct orientation.

Please reference Connection Method 2 for more details.



Step 6.

Locate your shelves. Install by allowing the plates on the tubes to fit into the routes beneath the shelf. Lock into place using the provided thumbscrews included with the shelf.



Step 7.

Clamp your ladder assembly to your backwall utilizing the preinstalled clamps.

Please reference Connection Method 4 for more details.

