

Formulate 10' Vertical Curve - Kit 10

FMLT-WV10-10

Formulate™ is a collection of sophisticated, ergonomically designed exhibit booths. Formulate combines state-of-the-art zipper pillowcase dye-sublimated fabric coverings with advanced lightweight aluminum structures to provide unique design, functionality, and style. The excellence of the Formulate line of displays, hanging structures and products is simply unmatched. Stretch fabric graphics are hand-sewn, durable and dry-cleanable.



features and benefits:

- State-of-the-art 30mm aluminum tube frame with snap button assembly
- Easy to store and ship
- Countertop holds max 10 lbs / 4.5 kgs each
- Kit includes: one frame, one dye-sublimated pillowcase zipper graphic, multi-shelf ladder, and one wheeled OCL & OCH2 shipping case
- Lifetime hardware warranty against manufacturer defects

dimensions:

Hardware

Assembled unit:
114.1" w x 92.8" h x 45.2" d

Multi-shelf ladder:
23.6" w x 92.7" h x 26.6" d

Approximate weight (includes graphics):
52.63 lbs / 24 kgs

Shipping

Shipping dimensions - ships in two cases:
One OCL case: 56" l x 19" h x 19" d
One OCH2 case: 52" l x 29" h x 15" d

Approximate shipping weight (with cases):
102.63 lbs / 46.55 kgs

Graphic

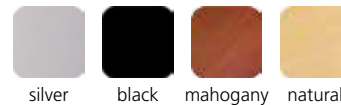
Refer to related graphic template for more information.

Visit:
www.exhibitors-handbook.com/graphic-templates

additional information:

Graphic materials:
Dye-sublimated zipper pillowcase fabric,
3mm white PVC

Table colors:



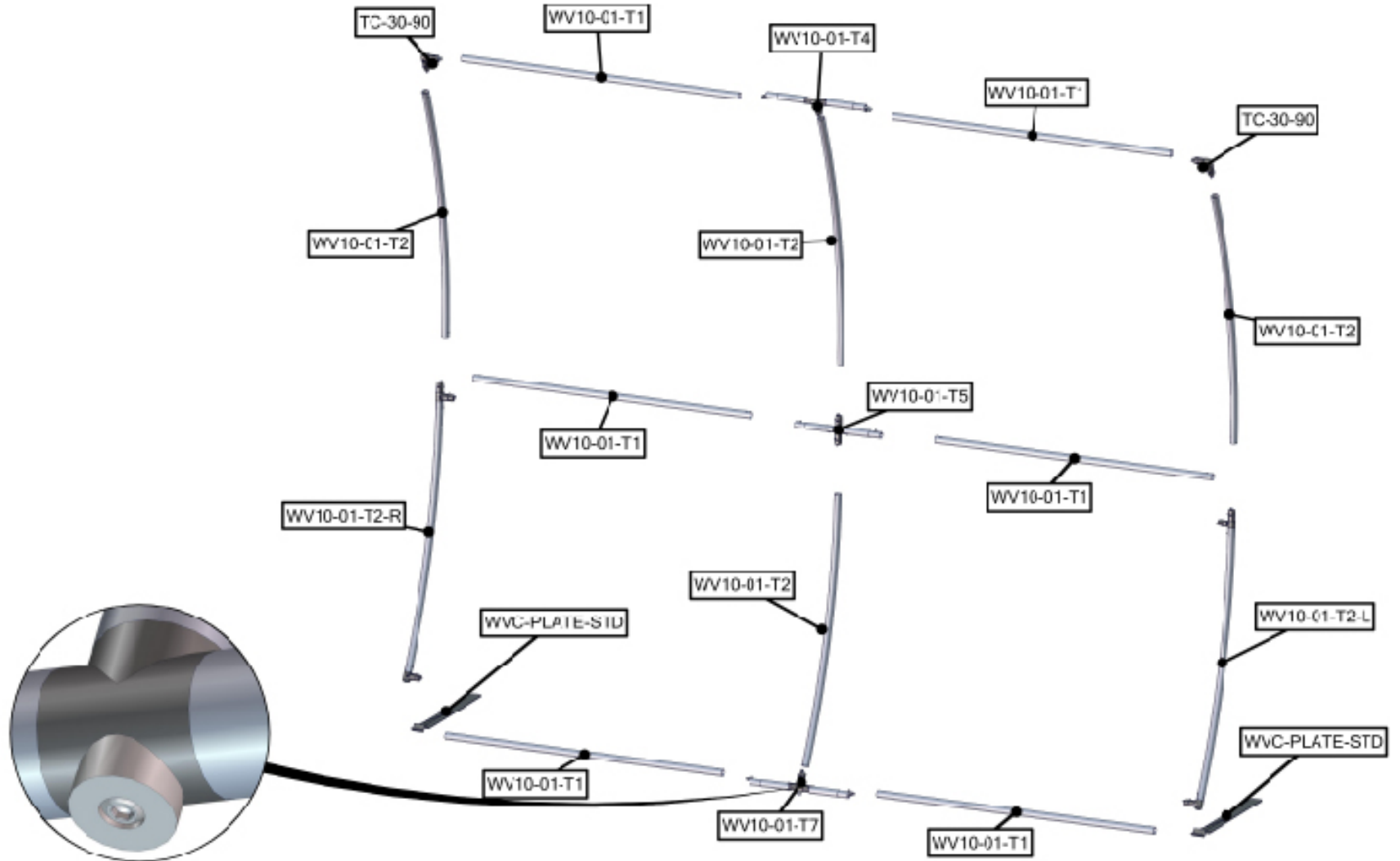
silver black mahogany natural



www.display-setup-animations.com

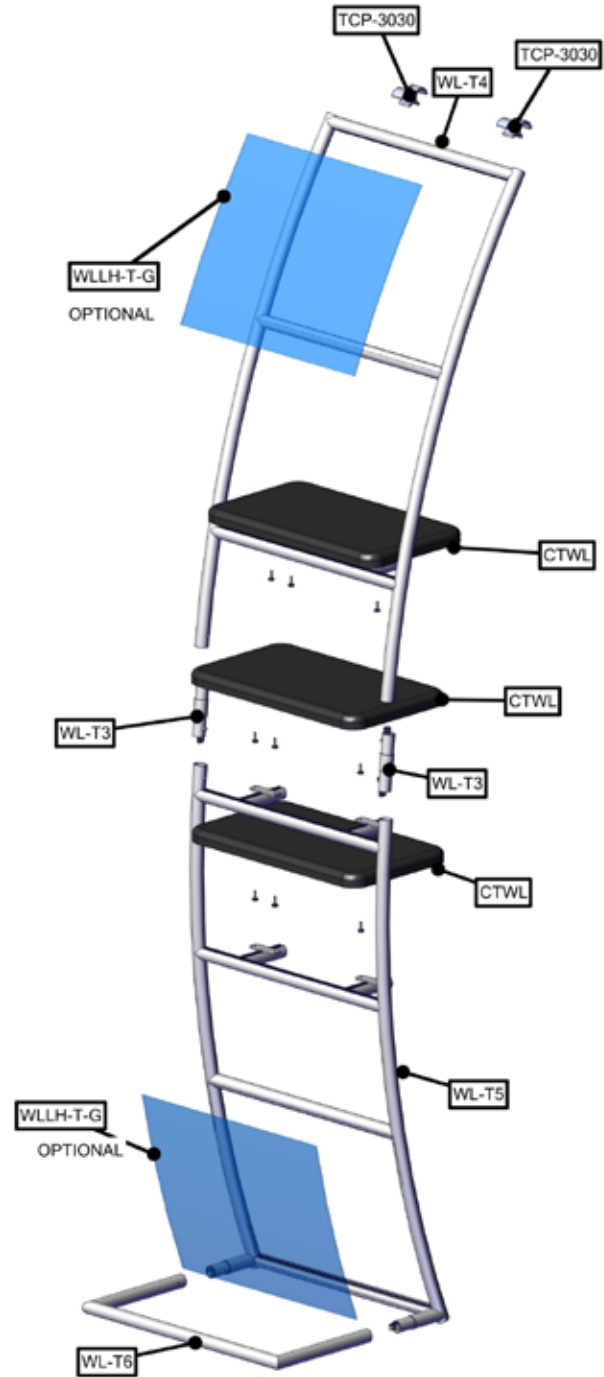
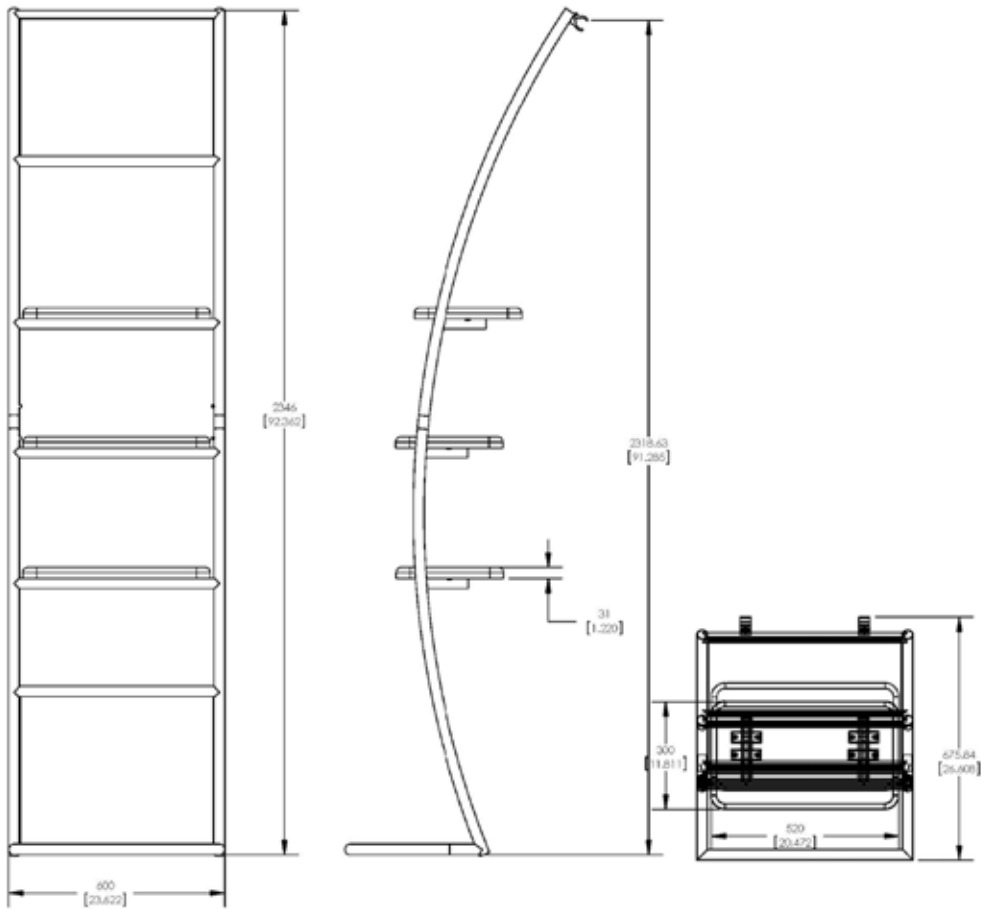
We are continually improving and modifying our product range and reserve the right to vary the specifications without prior notice. All dimensions and weights quoted are approximate and we accept no responsibility for variance. E&OE. See Graphic Templates for graphic bleed specifications.

Parts Included		
Part Label	Qty	Part Code
FABRIC GRAPHIC	x1	WV10-01-G
LN114 BOLT	x2	LN114 BOLT
90 DEGREE ELBOW JOINT FOR 30MM TUBING	x2	TC-30-90
1270MM X 30MM TUBE	x6	WV10-01-T1
30MM CURVED TUBE WITH PART T AND 90B LEFT SIDE	x1	WV10-01-T2-L
30MM CURVED TUBE WITH PART T AND 90B RIGHT SIDE	x1	WV10-01-T2-R
R2250 (1163MM ARC) CURVED TUBE	x4	WV10-01-T2
(2) 128MM TUBES SWAGED WITH PART TC-30-T	x1	WV10-01-T4
(2) 128MM TUBES SWAGED WITH PART TC-30-T	x1	WV10-01-T7
(2) 128MM TUBES SWAGED WITH PART TC-30-X	x1	WV10-01-T5
STEEL PLATE FOR WVC	x2	WVC-PLATE-STD

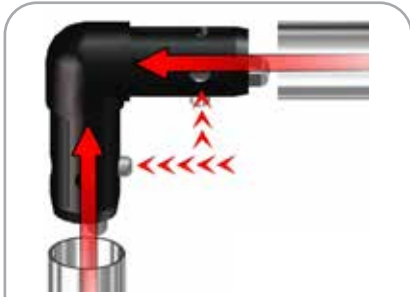


Parts Included – Ladder

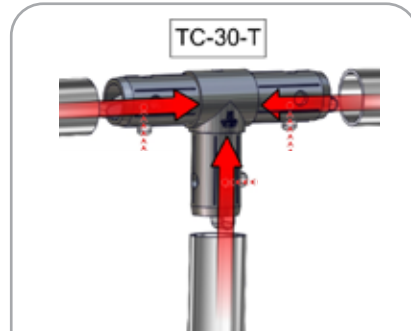
Part Label	Qty	Part Code
520 X 300 X 30 COUNTER	x3	CTWL
PARALLEL TUBE CLAMP FOR 30MM TUBES	x2	TCP-3030
30MM TUBE SECTION	x2	WL-T3
TOP SINTRA GRAPHICS	x2	WLLH-T-G
30MM TUBE SECTION	x1	WL-T5
30MM TUBE SECTION	x1	WL-T6
30MM TUBE SECTION	x1 </td <td>WL-T4</td>	WL-T4



STEP 1: ASSEMBLE FRAME



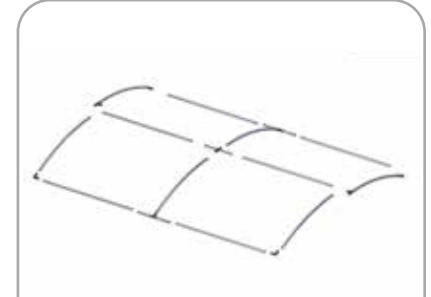
Assemble top frame corners using TC-30-90. Label codes will be on backside of tube. It is best to assemble frame laying flat.



Connect sides of frame by lining up holes with snap buttons.

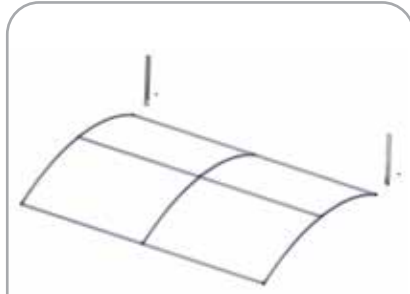


Use TC-30-90B to connect bottom frame corners; snap on button.



Frame assembly is complete once all sides and middle are connected.

STEP 2: ATTACH FEET

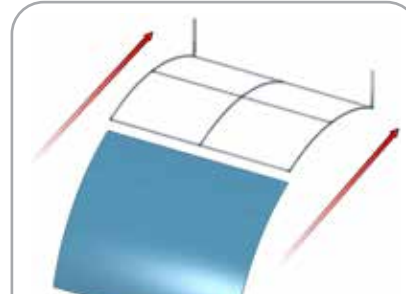


Attach feet with Allen key. See next step for detailed view.

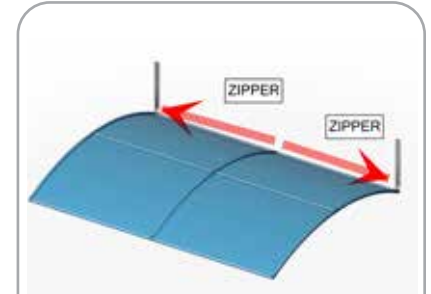


Using provided allen key, secure both feet (WVM-BP) to bottom of frame by tightening bolt.

STEP 3: ATTACH GRAPHIC

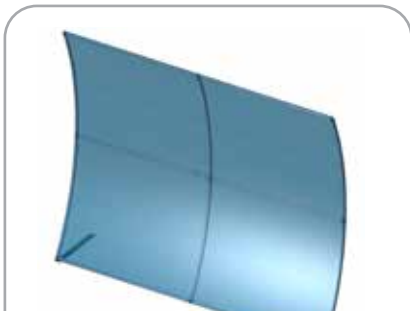


Slide graphic over top of frame.

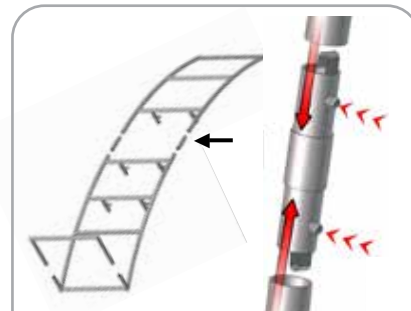


Zip fabric closed as shown along bottom.

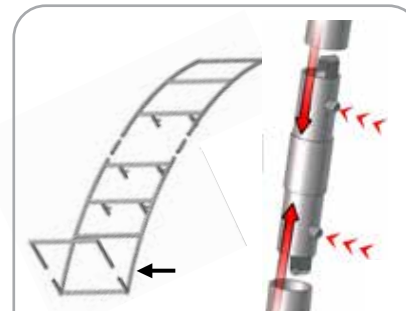
STEP 4: ASSEMBLE LADDER FRAME



Stand unit upright.

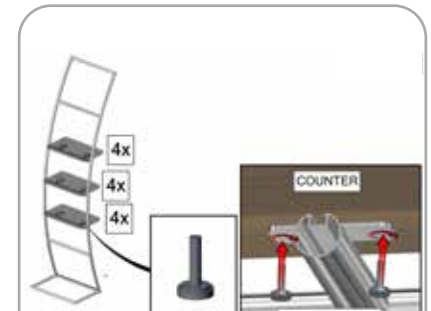


Connect top of accent frame to bottom using WL-T3 by pressing snap buttons.



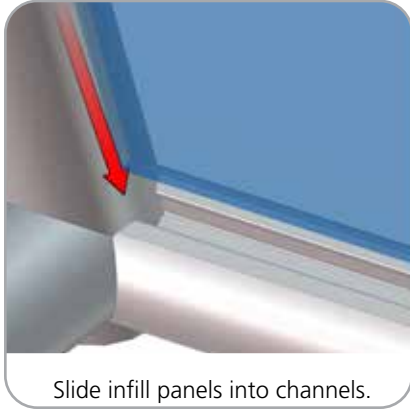
Next, connect accent frame to base.

STEP 5: ATTACH SHELVES



Install shelves onto hardware using four thumbscrews per shelf.

STEP 6: ATTACH GRAPHICS



STEP 7: ATTACH TO BACKWALL WITH CLAMPS

