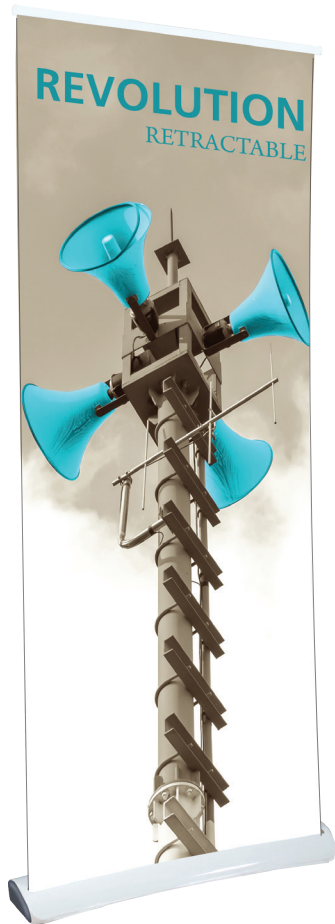


Revolution

RVLTN-850

Revolution, the newest premium retractable banner stand, provides superior, high-end functionality, durability, ease of use and unique styling for an exceptional appearance. Revolution banners include a protective carry bag and feature a lifetime hardware warranty.



features and benefits:

- Available in one width
- Variable height (850) = 61.5" - 86.5"
- Bungee/ telescoping pole with tool-less quick rail
- Adjustable feet on base
- White injection molded/durable plastic banner stand
- Tool-less quick rail combines the ease of a snap rail with the reassurance of an adhesive fixing
- Graphic tensioner
- Supplied with carry bag with strap
- Lifetime limited hardware warranty against manufacturer defects

dimensions:

Hardware	Shipping
Assembled unit: 35.5"w x 64.5" - 88.75"h x 8.86"d 902mm(w) x 1639mm - 2255mm(h) x 225mm(d)	Shipping dimensions - ships in one box 40"l x 13"h x 6"d 1016mm(l) x 330mm(h) x 153mm(d)
Base dimensions: 35.5"w x 3.5"h x 8.86"d 902mm(w) x 89mm(h) x 225mm(d)	Approximate shipping weight (w/o graphics): 12 lbs / 6 kgs

Graphic

Refer to related graphic template for more information.

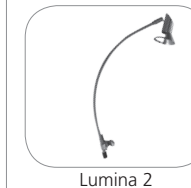
Visit:
www.exhibitors-handbook.com/graphic-templates

WARNING: Always attach graphic to base and top rail before removing the locking pin. After fitting, the graphic should be left for 24 hours before use to ensure the adhesive bonds sufficiently. Opening the base will invalidate the product warranty.

Graphic tension may be re-applied or added. See visual instructions.

additional information:

Lumina 2 and LED Spot banner lighting option available



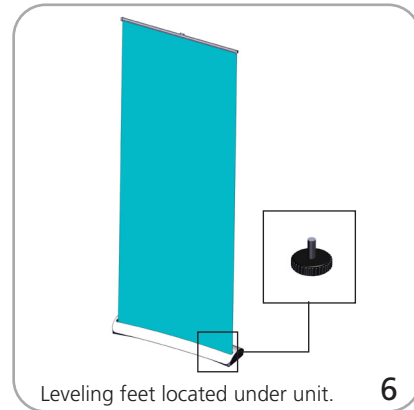
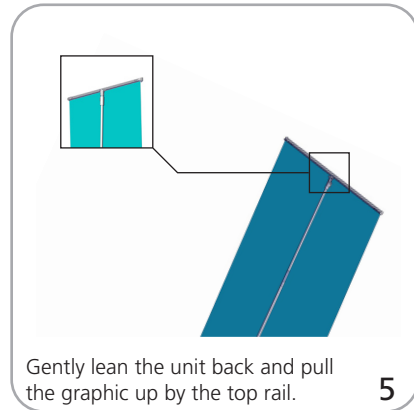
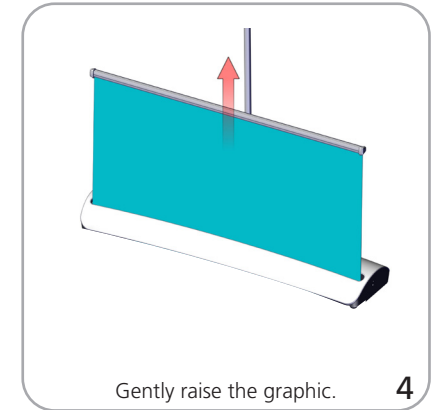
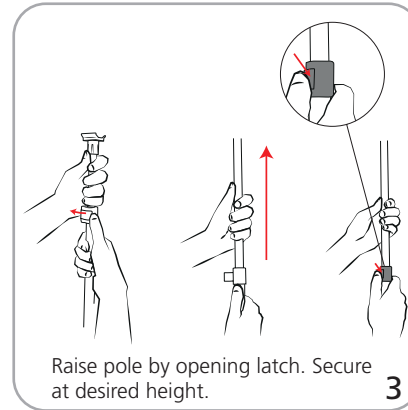
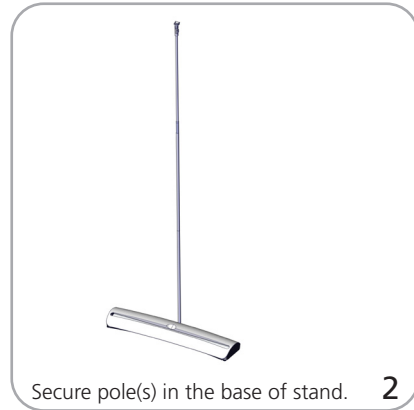
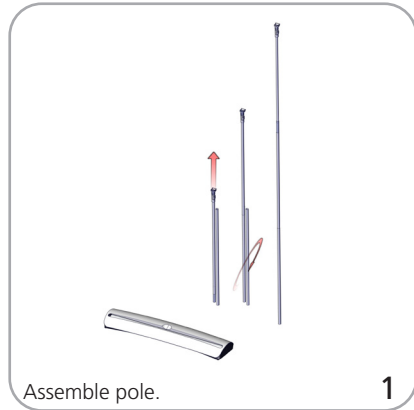
Lumina 2



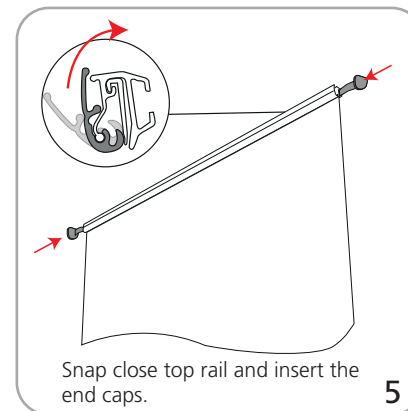
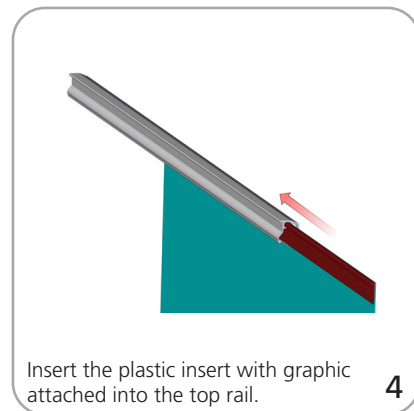
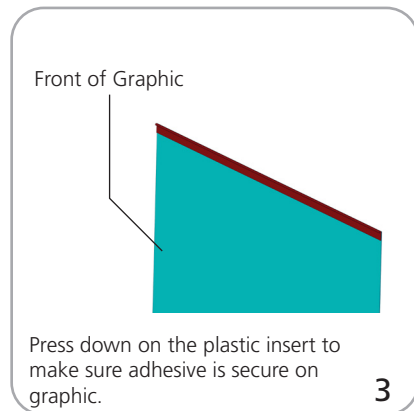
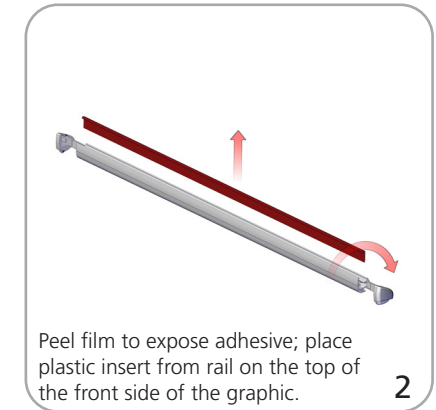
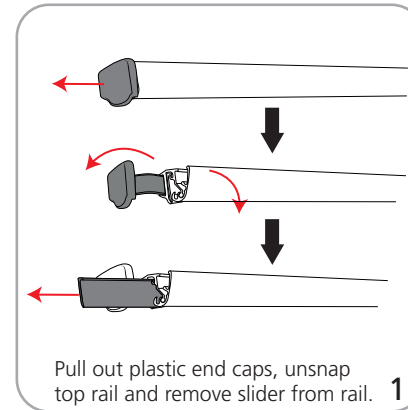
LED Spot

We are continually improving and modifying our product range and reserve the right to vary the specifications without prior notice. All dimensions and weights quoted are approximate and we accept no responsibility for variance. E&OE. See Graphic Templates for graphic bleed specifications.

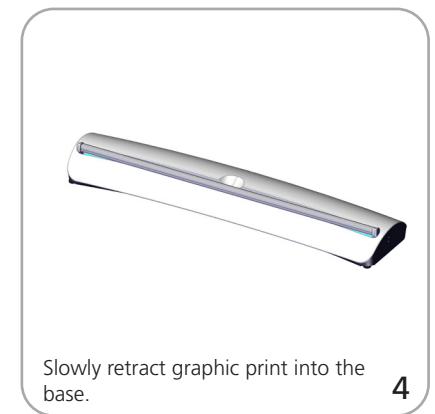
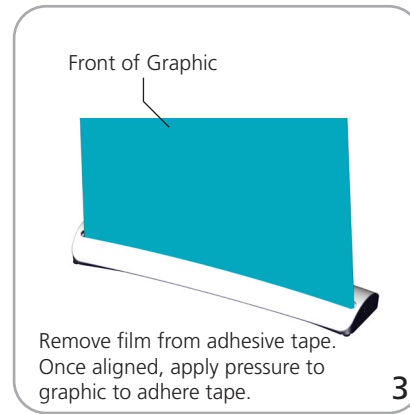
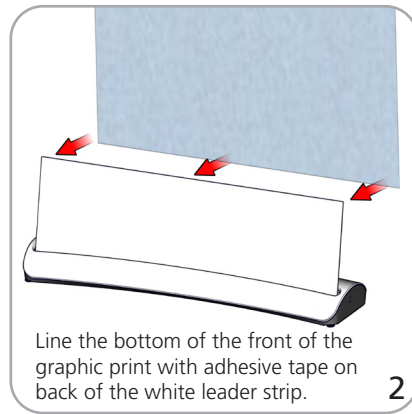
Set-up



Graphic to top rail attachment (plastic insert)



Graphic to base attachment



Tensioning Graphic

