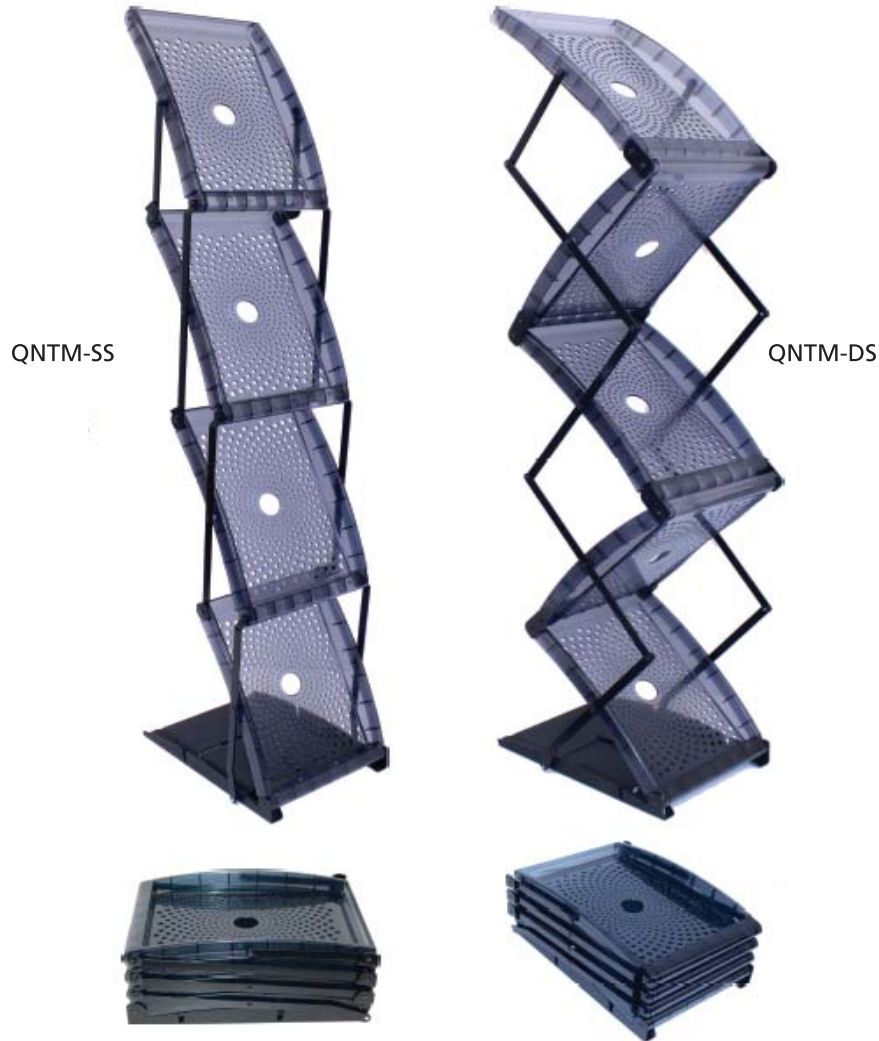


# Quantum Literature Racks

QNTM-SS  
QNTM-DS

The Quantum series of injection molded literature rack is a great addition to any display. Single and double sided options available.



## features and benefits:

- Available single or double sided
- Collapses down to a fraction of its size
- Carry bag included
- Five year hardware warranty against manufacturer defects

## dimensions:

Hardware	Shipping
<p>Assembled unit:</p> <p>Single Sided: 11.25" w x 54.5" h x 15" d 286mm(w) x 1384mm(h) x 381mm(d)</p> <p>Double Sided: 11.50" w x 53.75" h x 15" d 292mm(w) x 1365mm(h) x 381mm(d)</p> <p>Collapsed height:</p> <p>Single Sided: 11.18" w x 6.5" h x 15" d 284mm(w) x 165mm(h) x 381mm(d)</p> <p>Double Sided: 11.18" w x 7.5" h x 15" d 284mm(w) x 191mm(h) x 381mm(d)</p> <p>Pocket size:</p> <p>8.75" w x 13.25" h x .88" d 222mm(w) x 337mm(h) x 22mm(d)</p>	<p>Shipping dimensions (ships in one box):</p> <p>Single Sided: 17" l x 14" w x 9" h 432mm(l) x 356mm(w) x 229mm(h)</p> <p>Double Sided: 17" l x 13" w x 10" h 432mm(l) x 330mm(w) x 254mm(h)</p> <p>Approx Shipping Weight:</p> <p>Single Sided: 16lbs / 7.25kgs Double sided: 18lbs / 8.16kgs</p>

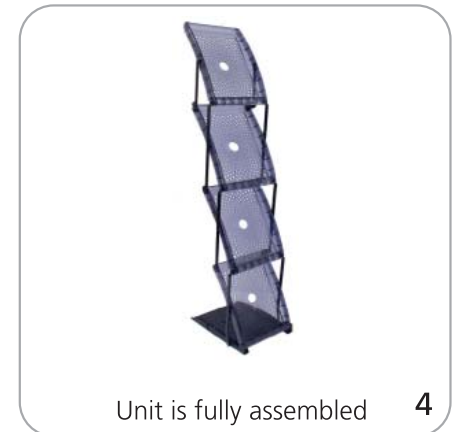
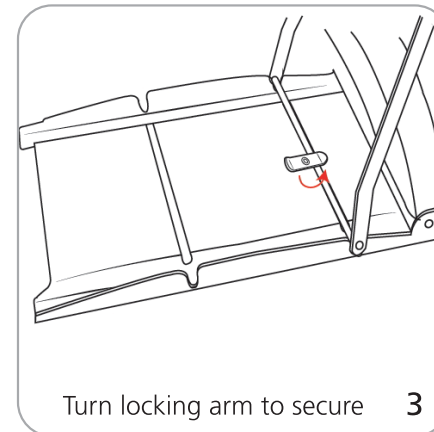
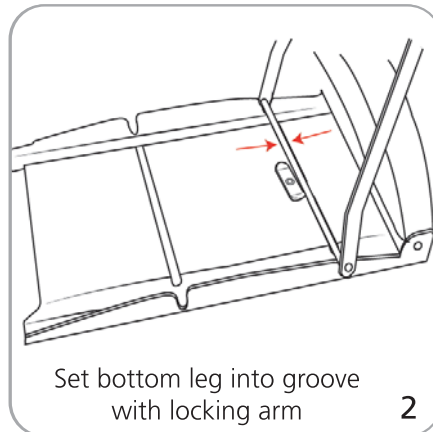
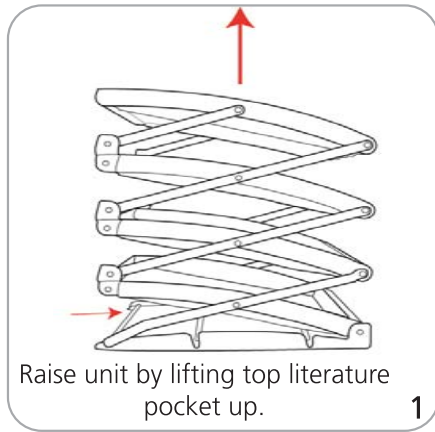
## additional information:

- We recommend that literature is not shipped with these literature racks

We are continually improving and modifying our product range and reserve the right to vary the specifications without prior notice. All dimensions and weights quoted are approximate and we accept no responsibility for variance. E&OE. See Graphic Templates for graphic bleed specifications.

## Quantum Single-Sided Literature Rack

### Setup



## Quantum Double-Sided Literature Rack

### Setup

